

GAS ENGINE ADAPTERS

PEM-G FLANGE

Pump Gas Engine Adapters (Bell Housings) are designed to assure proper shaft alignment between the gasoline engine and your hydraulic pump. They also reduce assembly cost over using a foot mounting bracket or riser.

Standard Features:

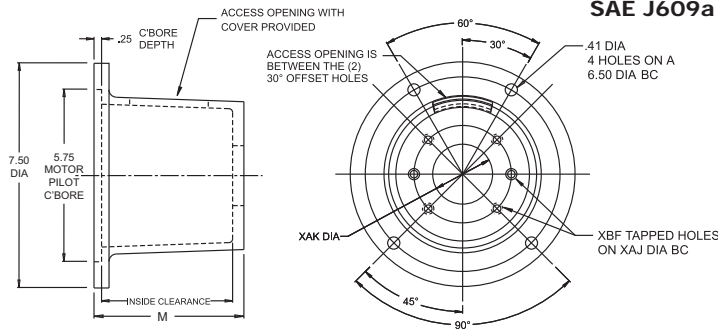
- Light weight - High strength
- Drive coupling access hole
- Safety orange removable cover for coupling access hole
- Gas Engine Adapters are designed to be used with gas engines with horizontal shafts only.

Standard Material:

- Cast Aluminum

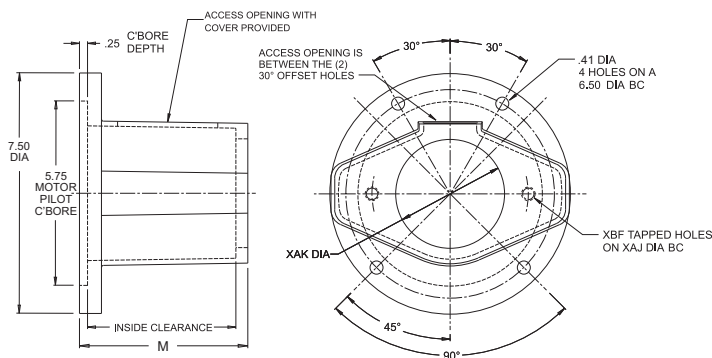
WARNING:

- To avoid possible injury, access hole cover must be in place during operation



NOTE: All dimensions are inches.

Gas Engine Adapter - PEM-G Flange (inches)								
Part No.	Pump Type	Pump Mounting Flange	MAX Coupling Dia	XAJ Bolt Circle	XAK Pump Pilot	XBF Mounting Holes (NC)	M Face to Face	Inside Clearance
6025	USAF 4F17	4 Bolt	4.00	2.84	1.78	5/16-18	5.00	4.00
6021							5.62	4.50
6023	SAE AA	2 Bolt	4.00	3.25	2.00	3/8-16	5.00	4.00
6020							5.62	4.50
6024	SAE A	2 Bolt	4.00	4.19	3.25	3/8-16	5.00	4.00
6019							5.62	4.50



NOTE: All dimensions are inches. Standard metric series pump flanges also available - Consult factory.

Gas Engine Adapter - PEM-G Flange (inches)								
Part No.	Pump Type	Pump Mounting Flange	MAX Coupling Dia	XAJ Bolt Circle	XAK Pump Pilot	XBF Mounting Holes (NC)	M Face to Face	Inside Clearance
196899	SAE B	2 Bolt	3.50	5.75	4.00	1/2-13	5.25	4.62

Dimensions and specifications are subject to change without notice. Not all items are Made-To-Stock, contact us for availability.

11/15

Ph : 920-682-6877
Fx : 920-684-7210



sales@ldi-industries.com
www.ldi-industries.com