



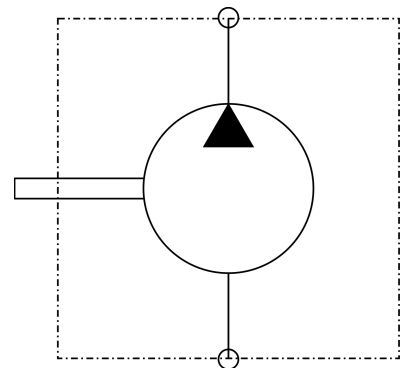
Part Number: 1300323

Model Code: FD4V-20T7.5-20T7.5-20T7.5-20T7.5-B10

Product Capabilities

PN (Model Code)	FD4V-20T7.5-20T7.5-20T7.5-20T7.5-B10
PO (Paint Options)	P1 - Standard Black
MS (Model Series)	FD - D Series Flow Divider
NS (Number of Sections)	4 - Four Sections
IP (Inlet Port)	V - #16 SAE 1-5/16"-12
DCA (Position A Section Displacement Code)	20 - .581 in ³ /rev (9.5 cc/rev.)

Hydraulic schematic



Concentric Rockford Inc.
2222 15th Street Rockford, IL 61104
Tel: 1-815-398-4400
www.concentricab.com
E-mail: info.usro@concentricab.com

The information on this PDF datasheet and any associated models or drawings from the Concentric Hydraulic Product Configurator are for reference only. Concentric will not accept any responsibility for misapplications and reserves the right to modify its products without prior notice. Concentric does not accept responsibility or warranty products without prior application approval from Concentric engineering.



Efficiency

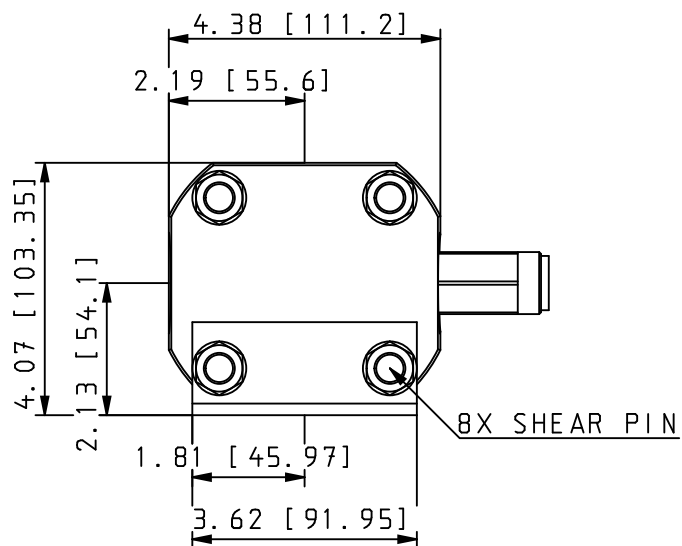
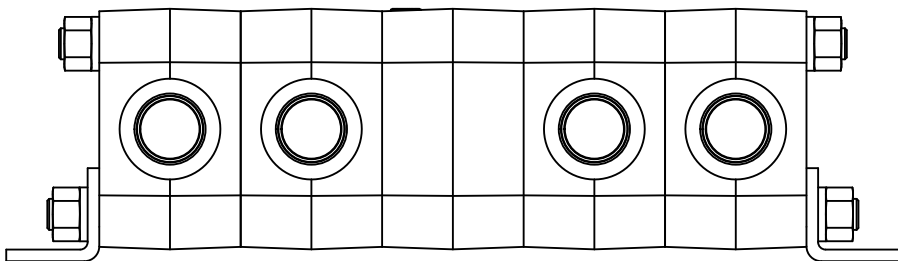
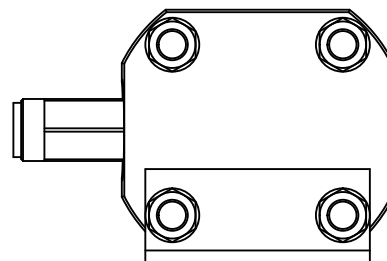
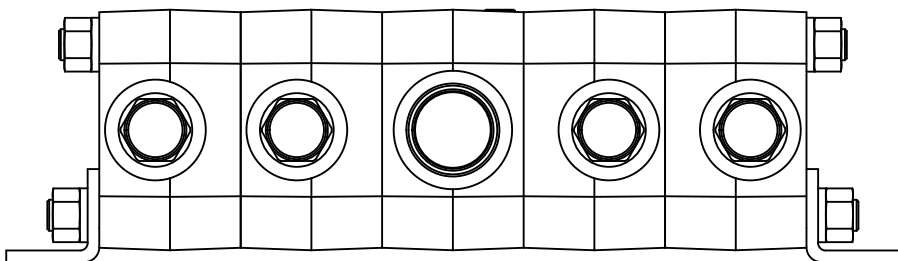
Operating temperature

Inlet conditions

Fluids and filtration

Concentric Rockford Inc.
2222 15th Street Rockford, IL 61104
Tel: 1-815-398-4400
www.concentricab.com
E-mail: info.usro@concentricab.com

The information on this PDF datasheet and any associated models or drawings from the Concentric Hydraulic Product Configurator are for reference only. Concentric will not accept any responsibility for misapplications and reserves the right to modify its products without prior notice. Concentric does not accept responsibility or warranty products without prior application approval from Concentric engineering.



PN (Model Code)	FD4V-20T7.5-20T7.5-20T7.5-20T7.5-B10
PO (Paint Options)	P1 - Standard Black
MS (Model Series)	FD - D Series Flow Divider
NS (Number of Sections)	4 - Four Sections
IP (Inlet Port)	V - #16 SAE 1-5/16"-12
DCA (Position A Section Displacement Code)	20 - .581 in ³ /rev (9.5 cc/rev.)
OPA (Position A Section Outlet Port)	T - #10 SAE 7/8"-14
RVA (Position A Section Differential Valve)	7.5 - 750 PSI (51.7 BAR)
DCB (Position B Section Displacement Code)	20 - .581 in ³ /rev (9.5 cc/rev.)
OPB (Position B Section Outlet Port)	T - #10 SAE 7/8"-14
RVB (Position B Section Differential Valve)	7.5 - 750 PSI (51.7 BAR)
DCC (Position C Section Displacement Code)	20 - .581 in ³ /rev (9.5 cc/rev.)
OPC (Position C Section Outlet Port)	T - #10 SAE 7/8"-14
RVC (Position C Section Differential Valve)	7.5 - 750 PSI (51.7 BAR)