

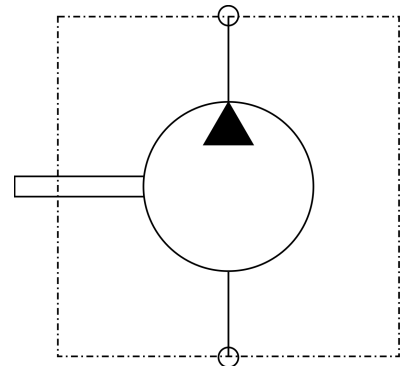


Part Number: N/A
Model Code: FG1110021

Product Capabilities

PN (Part Number)	FG1110021
TYPE (Type)	Flow Divider
SERIES (Series)	GC Series Flow Divider
NOS (Number of Sections)	1 - Two Sections
GS1 (Gear Size)	1 - .097 in. ³ /rev.
GS2 (Gear Size)	1 - .097 in. ³ /rev.
GS3 (Gear Size)	0 - None
GS4 (Gear Size)	0 - None

Hydraulic schematic



Concentric Rockford Inc.
2222 15th Street Rockford, IL 61104
Tel: 1-815-398-4400
www.concentricab.com
E-mail: info.usro@concentricab.com

The information on this PDF datasheet and any associated models or drawings from the Concentric Hydraulic Product Configurator are for reference only. Concentric will not accept any responsibility for misapplications and reserves the right to modify its products without prior notice. Concentric does not accept responsibility or warranty products without prior application approval from Concentric engineering.



Efficiency

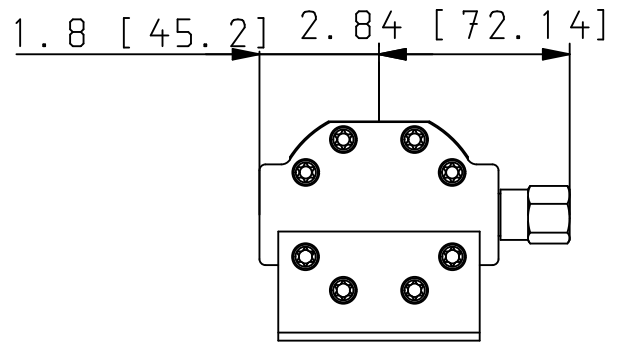
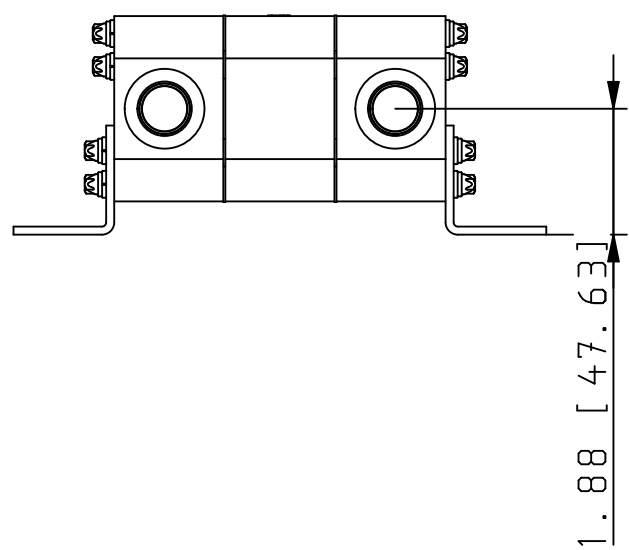
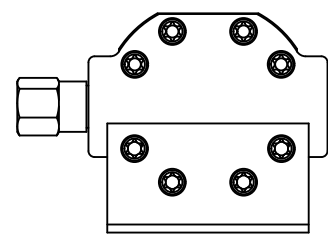
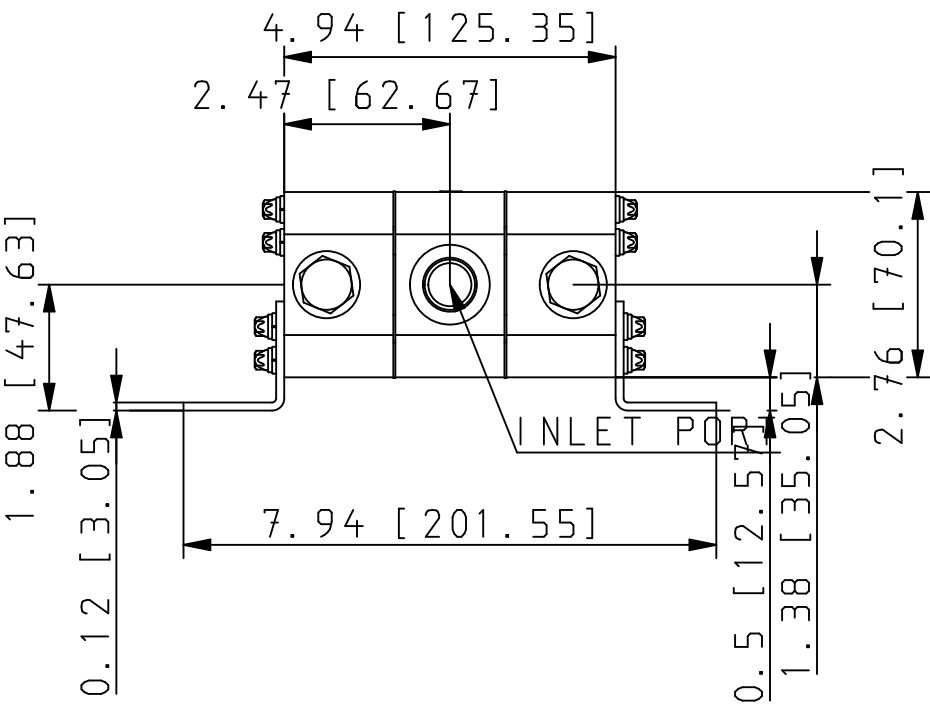
Operating temperature

Inlet conditions

Fluids and filtration

Concentric Rockford Inc.
2222 15th Street Rockford, IL 61104
Tel: 1-815-398-4400
www.concentricab.com
E-mail: info.usro@concentricab.com

The information on this PDF datasheet and any associated models or drawings from the Concentric Hydraulic Product Configurator are for reference only. Concentric will not accept any responsibility for misapplications and reserves the right to modify its products without prior notice. Concentric does not accept responsibility or warranty products without prior application approval from Concentric engineering.



PN (Part Number)	FG1110021
TYPE (Type)	Flow Divider
SERIES (Series)	GC Series Flow Divider
NOS (Number of Sections)	1 - Two Sections
GS1 (Gear Size)	1 - .097 in.^3/rev.
GS2 (Gear Size)	1 - .097 in.^3/rev.
GS3 (Gear Size)	0 - None
GS4 (Gear Size)	0 - None
RV (Differential Valves)	2 - One Each Section
P (Porting)	1 - SAE (Standard)
QSPN (Quick Ship Part Number)	N/A