

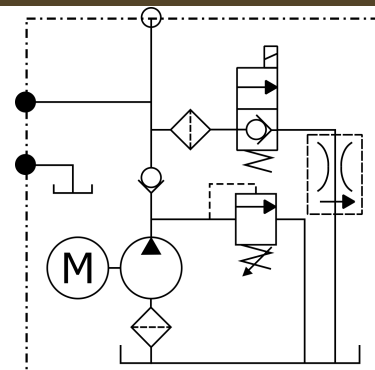
Part Number: N/A

Model Code: HE2BB01220172A80AP9K2BL9A00

Product Capabilities

| | |
|----------------------------------|--|
| Code - Pump Displacement | 20 - 2.0/122 W Series Pump |
| Pump Maximum Continuous Pressure | 3335 PSI / 230 BAR |
| Code - Relief Valve Setting | 172 - 172 Bar (2494 PSI) |
| Code - Flow Control Setting | A - None |
| Code - Reservoir Size / Material | AP - 15.2 LTR (4 GAL) STEEL, RECTANGULAR |
| Recommended Operating Viscosity | 12 - 800 cSt (66 - 3600 SSU) |
| Maximum Cold Start Viscosity | 2000 cSt (9000 SSU) |
| Operating Temperatures | -25°C - +80°C (-13°F - +175°F) |
| Fluid Cleanliness | ISO 18/14 or better |

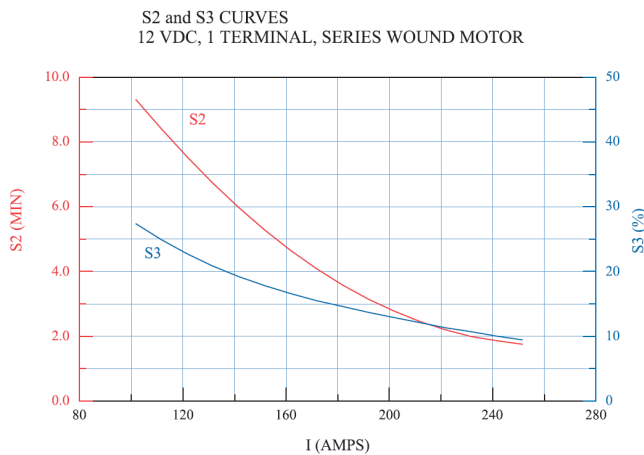
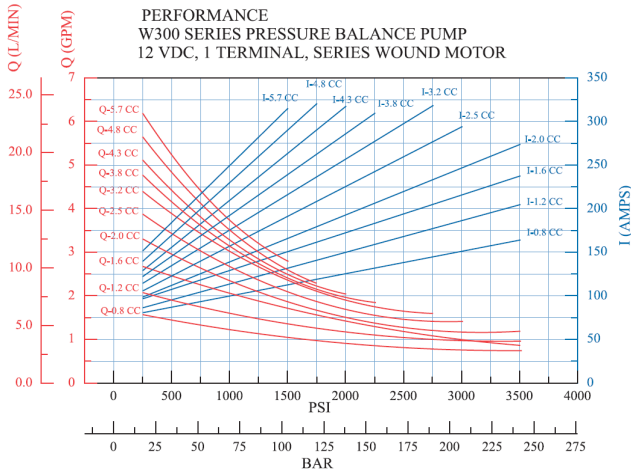
Hydraulic schematic



Concentric Rockford Inc.
 2222 15th Street Rockford, IL 61104
 Tel: 1-815-398-4400
www.concentricab.com
 E-mail: info.usro@concentricab.com

The information on this PDF datasheet and any associated models or drawings from the Concentric Hydraulic Product Configurator are for reference only. Concentric will not accept any responsibility for misapplications and reserves the right to modify its products without prior notice. Concentric does not accept responsibility or warranty products without prior application approval from Concentric engineering.

Motor Performance



These are performance curves for your power unit. You can use these curves to determine the amp draw and performances as well as run time restrictions.

For these charts, start on the horizontal axis and go up to find you parameters. THE S2/S3 % for DC motors are measured in minutes and % of a 5 minute duty cycle respectively.

Assembly Kit List

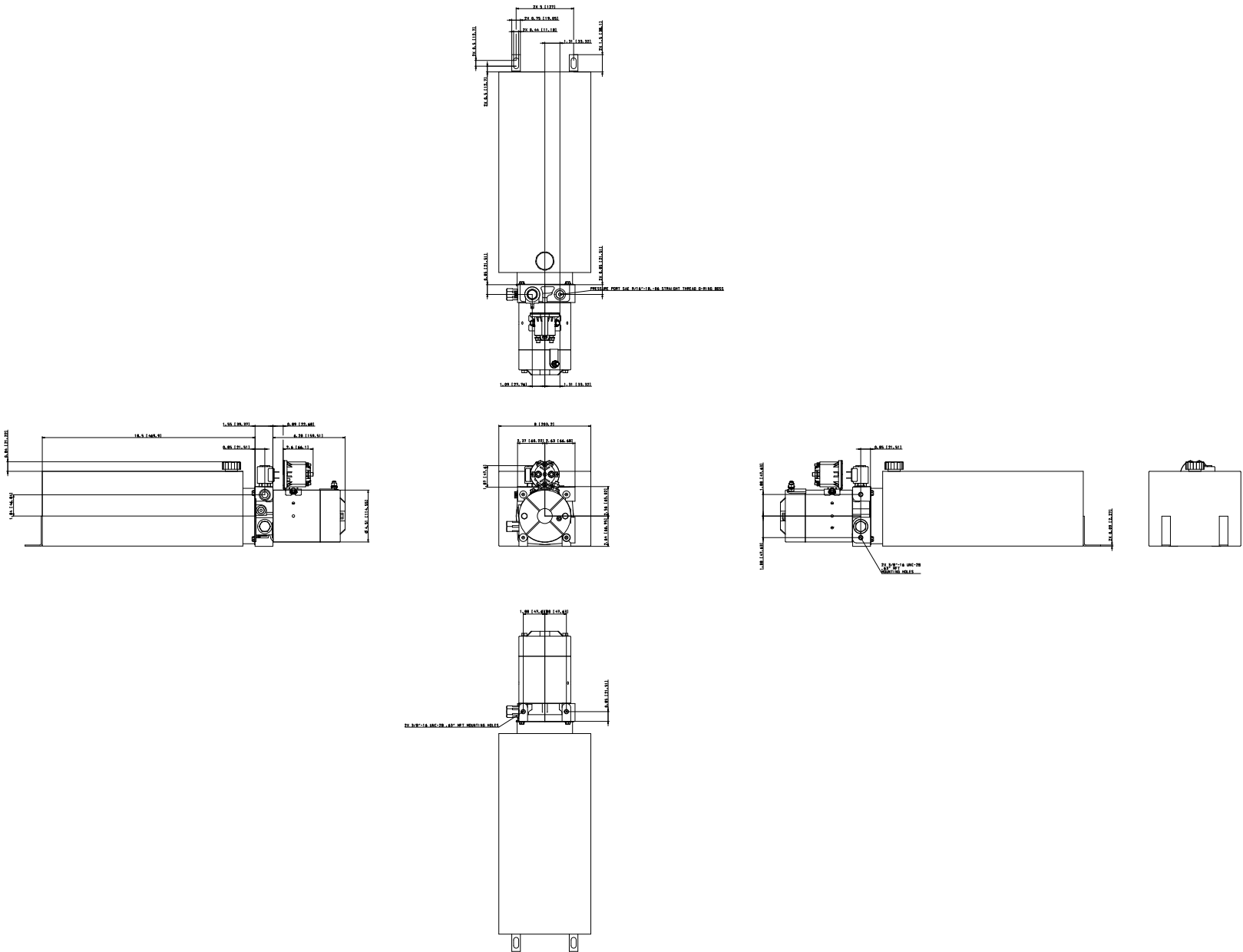
HE2000 power units can easily be assembled from kits in our 130 standard capabilities program.

These kits can be purchased through your local distributor and assembled. Below is a list of the kits and quantities required for your power unit.

| Kit Description | Kit Number | Qty. |
|--------------------------|------------|------|
| Adapter Kit | #1303649 | 1 |
| Port Plug Kit | | |
| AC Motor Adapter Kit | | |
| Valve Kit | #1303534 | 1 |
| Solenoid Coil Kit | #1300914 | 1 |
| Manifold Kit | | |
| Cavity Plug Kit | | |
| P.O. Check Kit | | |
| Riser Block Kit | | |
| Bolts Kit | | |
| Pump Type Kit | #1303438 | 1 |
| Relief Valve Setting Kit | #1303661 | 1 |
| Flow Control Valve Kit | | |
| Motor Kit | #1300027 | 1 |
| Reservoir Kit | #1300909 | 1 |
| Start Switch Kit | #1300939 | 1 |
| Tube Kits Kit | #1300874 | 1 |

Concentric Rockford Inc.
2222 15th Street Rockford, IL 61104
Tel: 1-815-398-4400
www.concentricab.com
E-mail: info.usro@concentricab.com

The information on this PDF datasheet and any associated models or drawings from the Concentric Hydraulic Product Configurator are for reference only. Concentric will not accept any responsibility for misapplications and reserves the right to modify its products without prior notice. Concentric does not accept responsibility or warranty products without prior application approval from Concentric engineering.



| | |
|---------------------------|---|
| Part Number | N/A |
| Model Code | HE2BB01220172A80AP9K2BL9A00 |
| Valve Type | BB - Solenoid Lowering Adapter DC Version |
| Coil Voltage | 012 - 12 Volt DC |
| Pump Type/Size (/Rev.) | 20 - 2.0/.122 W Series Pump |
| Relief Valve Setting | 172 - 172 Bar (2494 PSI) |
| Flow Control Valve | A - None |
| Motor | 80 - 12 VDC Single Term. - Standard Duty |
| Reservoir | AP - 15.2 LTR (4 GAL) STEEL, RECTANGULAR |
| Motor Terminal Position | 9 - 9 O'Clock |
| Start Switch | K - 12 VDC, 3-POLE |
| Start Switch Position | 2 - 12 O'Clock (Relative to the Motor Terminal) |
| Tube Kits | BL - Horizontal Reservoir Mounting, All Pump Series, 9 O'Clock Breather Orientation |
| Breather Position | 9 - 9 O'Clock |
| Coil Term./Lever Position | A - 12 O'Clock = Toward Motor |
| Accessory | 00 - No Accessories |