

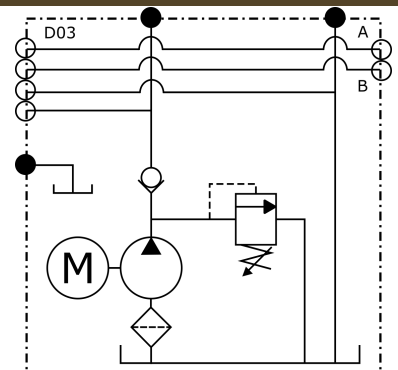
Part Number: N/A

Model Code: HE2DA00020172A84AN6L2BK9N00

Product Capabilities

Code - Pump Displacement	20 - 2.0/122 W Series Pump
Pump Maximum Continuous Pressure	3335 PSI / 230 BAR
Code - Relief Valve Setting	172 - 172 Bar (2494 PSI)
Code - Flow Control Setting	A - None
Code - Reservoir Size / Material	AN - 9.5 LTR (2.5 GAL) STEEL, RECTANGULAR
Recommended Operating Viscosity	12 - 800 cSt (66 - 3600 SSU)
Maximum Cold Start Viscosity	2000 cSt (9000 SSU)
Operating Temperatures	-25°C - +80°C (-13°F - +175°F)
Fluid Cleanliness	ISO 18/14 or better

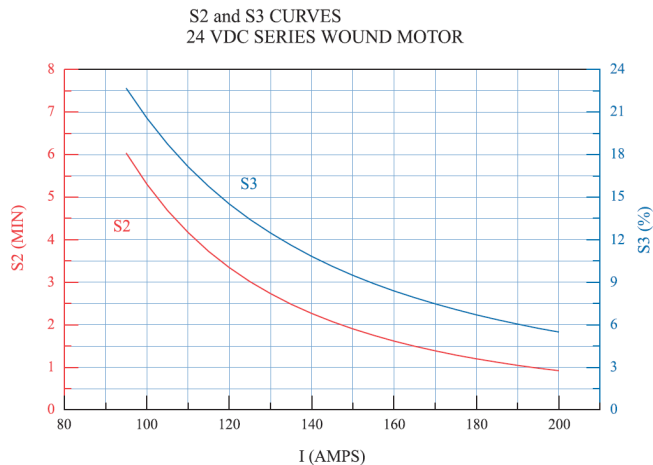
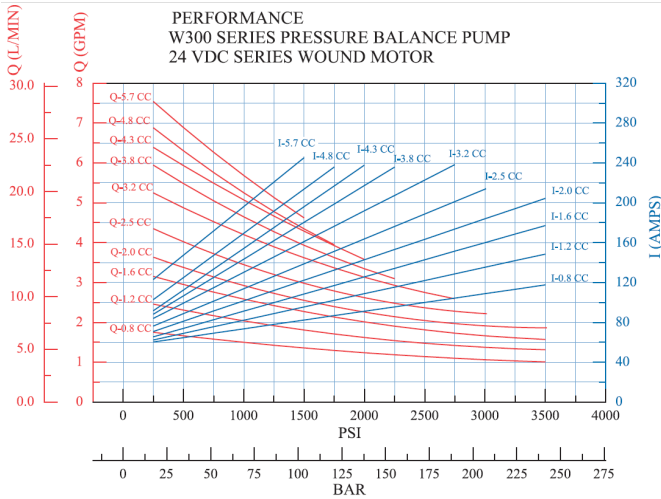
Hydraulic schematic



Concentric Rockford Inc.
 2222 15th Street Rockford, IL 61104
 Tel: 1-815-398-4400
www.concentricab.com
 E-mail: info.usro@concentricab.com

The information on this PDF datasheet and any associated models or drawings from the Concentric Hydraulic Product Configurator are for reference only. Concentric will not accept any responsibility for misapplications and reserves the right to modify its products without prior notice. Concentric does not accept responsibility or warranty products without prior application approval from Concentric engineering.

Motor Performance



These are performance curves for your power unit. You can use these curves to determine the amp draw and performances as well as run time restrictions.

For these charts, start on the horizontal axis and go up to find you parameters. THE S2/S3 % for DC motors are measured in minutes and % of a 5 minute duty cycle respectively.

Assembly Kit List

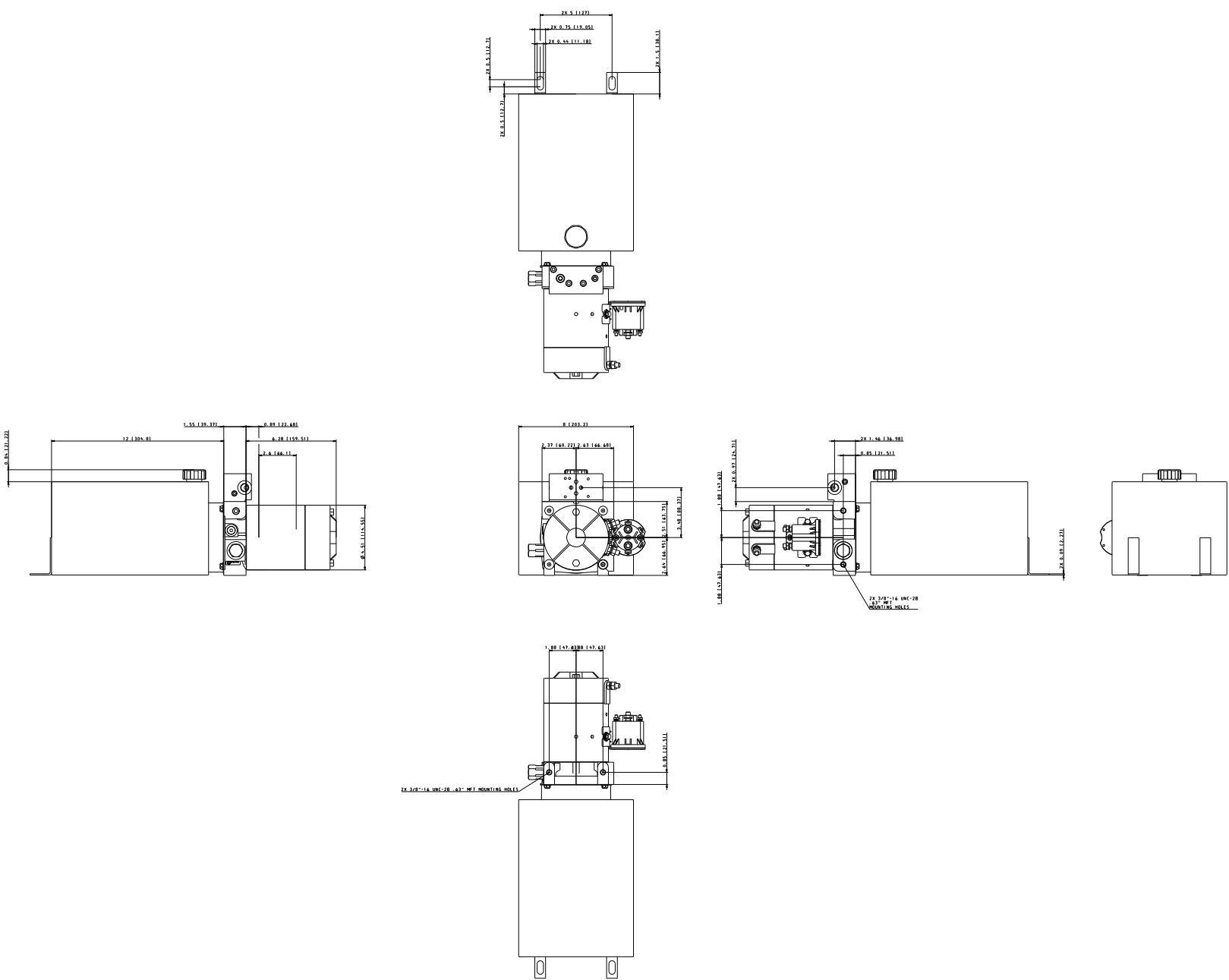
HE2000 power units can easily be assembled from kits in our 130 standard capabilities program.

These kits can be purchased through your local distributor and assembled. Below is a list of the kits and quantities required for your power unit.

Kit Description	Kit Number	Qty.
Adapter Kit	#1303650	1
Port Plug Kit		
AC Motor Adapter Kit		
Valve Kit		
Solenoid Coil Kit		
Manifold Kit	#1300854	1
Cavity Plug Kit		
P.O. Check Kit		
Riser Block Kit		
Bolts Kit	#1300865	1
Pump Type Kit	#1303438	1
Relief Valve Setting Kit	#1303661	1
Flow Control Valve Kit		
Motor Kit	#1300619	1
Reservoir Kit	#1300908	1
Start Switch Kit	#1300940	1
Tube Kits Kit	#1300874	1

Concentric Rockford Inc.
2222 15th Street Rockford, IL 61104
Tel: 1-815-398-4400
www.concentricab.com
E-mail: info.usro@concentricab.com

The information on this PDF datasheet and any associated models or drawings from the Concentric Hydraulic Product Configurator are for reference only. Concentric will not accept any responsibility for misapplications and reserves the right to modify its products without prior notice. Concentric does not accept responsibility or warranty products without prior application approval from Concentric engineering.



Part Number	N/A
Model Code	HE2DA00020172A84AN6L2BK9N00
Valve Type	DA - Manifold Adapter w/ Single D03 Valve Manifold DC Version
Coil Voltage	N/A
Pump Type/Size (/Rev.)	20 - 2.0/.122 W Series Pump
Relief Valve Setting	172 - 172 Bar (2494 PSI)
Flow Control Valve	A - None
Motor	84 - 24 VDC Double Term. - Medium Duty
Reservoir	AN - 9.5 LTR (2.5 GAL) STEEL, RECTANGULAR
Motor Terminal Position	6 - 6 O'Clock
Start Switch	L - 24 VDC, 3-POLE
Start Switch Position	2 - 12 O'Clock (Relative to the Motor Terminal)
Tube Kits	BK - Horizontal Reservoir Mounting, All Pump Series, 9 O'Clock Breather Orientation
Breather Position	9 - 9 O'Clock
Coil Term./Lever Position	N - None
Accessory	00 - No Accessories