

# 2 Function Receiver + Keypad

## RECEIVER PART NUMBER

**9202RXK** 2 Function Receiver, with Master + Keypad

<u>CONTENTS</u>	
1 x	Receiver
1 x	Instructions



## Compatible Transmitters

Mini	9TX0002
Standard	92102TX
IP	92202TX
Slim	92302TX
X	92502TX

## RECEIVER SPECIFICATION

### ELECTRICAL

Voltage Nominal	12/24V DC
Voltage Min/Max	8 to 36V DC
Switch Type	MOSFET (Positive Switching)

### RF

Modulation	2-GFSK. Gaussian Frequency Shift Keying
Frequency	433.050 MHz to 434.790 MHz 902.025 MHz– 927.975 MHz
Channels	32
Channel Selection	Fixed Channel hopping
Technology	Fixed Receiver
Temperature Range	-40° C to + 70° C (-40° F to + 158° F)
Range	60m (200ft)

### CURRENT CAPACITY

FET Rating	10A
System Rating	10A
Quiescent Current	31mA 12V/ 17mA 24V on Standby (Not SET)
Overload Protection	10A (Auto Shutdown)

### AERIAL

Internal Antenna	Yes	Supplied and fitted
External Antenna	Optional	AC9860/ AC9861/ AC9862/ AC9863 & AC9869 – order separately

### OUTPUTS

Master	Yes	Parallel or Continuous
Function	2	Supply to Receiver is switched

### CONFIGURATION

RS232 Programming to users' requirements	Yes	For programming interlocks, push/push latch, parallel master inhibit, timeout, channel timeout delay, master on delay, radio button de-latching and output allocation.
--	-----	--

### PERFORMANCE

Simultaneous Outputs	Yes	Programable (Modify through configuration)
Instant TX response	Yes	Programable (Modify through configuration)

### DIAGNOSTICS

LED's	Yes	Confirm 5 Volts, SET, Fault and all Outputs.
-------	-----	--

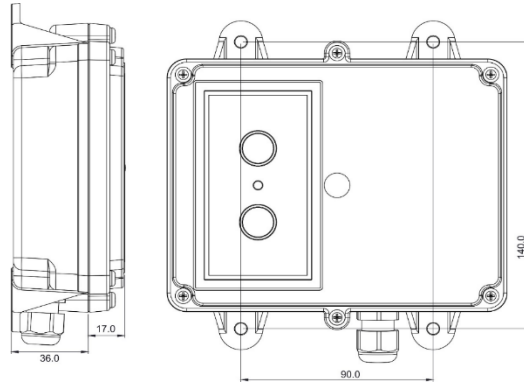
**PROTECTION**

Back EMF	Yes	Diode protection on all outputs
Registration codes	Yes	Over 16 million
STOP Connection	Yes	Internal Emergency Stop Connection

**WIRING**

Wiring Loom	Yes	3 metres (10ft) supplied and fitted
Cable Gland Connections	Yes	Supplied and fitted Screw terminal into plug and socket on PCB, for easy “swap out”

**ENCLOSURE**



Weight	0.3 lbs (335gms)
Lid	Clear PC/FR V0 and UV stabilised
Base	Black PC V0 and UV stabilised
Breather	Gortex fitted in base
Mounting	4 external lugs
Fixings	5mm (3/16”) not supplied
IP Rating	IP55

<b>92 Series</b>			<b>9200RXK</b>	<b>9202RXK</b>	<b>9204RXK</b>
BUILD SPECIFICATION TABLE FOR MODELS IN THIS RANGE					
Ident	Legend	Connection			
	+ - F1 F2	Positive, Negative, F1 and F2	S	S	S
	F3 F4 M	F3, F4, and Master		M	S
	ST -	STOP and -		S	S
	S+ S-	S+ S-		S	S
	ANT	Internal Antenna	S	S	S
	SMA	Connector (external antenna)		S	S
LK1	P	Master - Parallel		C	C
LK2	C	Master – Continuous		C	C
LK3	RS232	RS232		S	S
		3 metres 4 core	S		
		3 metres 7 core		S	S
		9801 Lo-Cover			

S = Standard. M = Standard but Master only connected. C = Customer configured (see “Factory Settings”).

+	Positive	8-36V supply
-	Negative	0 Volts
F1 to F4	Outputs to F1 through F4	
M	Master Output	
STOP -	STOP, when grounded	shuts down the Receiver
S+ S-	Master Secondary for Safety	solenoid connections etc.
ANT	Blade connector for internal	antenna
SMA	Aerial connection for optional	external antenna (internal antenna must be removed)
LK1	Master Selection by Jumper	(Parallel)
LK2	Master Selection by Jumper	(Continuous)
Factory Settings	418/915MHz configured	Parallel, 433.92MHz configured Continuous
RS232	RS232 for Wired Remote and	interface to access special programmes

## COMPLIANCE

REG 10	EC Type-approval mark E11 037601 EC Type-approval No: e11/72/245*2009/19*7601*00
FCC	FCC CFR 47 Part 15.109 433.050MHz to 434.790MHz FCC CFR 47 Part 15.109 902.025MHz to 927.975MHz
IC	ICES-003 Issue 6. 433.050MHz to 434.790MHz ICES-003 Issue 6. 902.025MHz to 927.975MHz
CE	RED Directive ETSI EN 300 220-2 v3.2. ETSI EN 300 220-1 v3.1.1. ETSI EN 301 489-17 V3.1.1., ETSI EN 301 489-1 V2.1.1 433.050MHz to 434.790MHz
Australia/NZ	ETSI EN 300 220-2 v3.2.1 ETSI EN 301 489-1 V2.1.1 433.050MHz to 434.790MHz 915.025MHz to 927.975MHz
RoHS	Directive 2011/65/EU