

8-10 Function Receiver

RECEIVER PART NUMBER

9210RX 8-10 Function Receiver, with Master



CONTENTS

1 x Receiver
1 x Instructions

Compatible Transmitter

| | |
|------|---------|
| IP | 92210TX |
| Slim | 92308TX |
| X | 92508TX |

RECEIVER SPECIFICATION

ELECTRICAL

| | |
|-----------------|-----------------------------|
| Voltage Nominal | 12/24V DC |
| Voltage Min/Max | 8 to 36V DC |
| Switch Type | MOSFET (Positive Switching) |

RF

| | |
|-------------------|--|
| Modulation | 2-GFSK. Gaussian Frequency Shift Keying |
| Frequency | 433.050 MHz to 434.790 MHz 902.025 MHz– 927.975 MHz |
| Channels | 32 |
| Channel Selection | Fixed Channel hopping |
| Technology | Fixed Receiver |
| Temperature Range | -40° C to + 80° C (-40° F to + 176° F). |
| Range | 60m (200ft) |

CURRENT CAPACITY

| | |
|---------------------|---|
| FET Rating | 10A |
| System Rating | 10A |
| Quiescent Current | 31mA 12V/ 17mA 24V on Standby (Not SET) |
| Overload Protection | 10A (Auto Shutdown) |

AERIAL

| | | |
|------------------|----------|--|
| Internal Antenna | Yes | Supplied and fitted |
| External Antenna | Optional | AC9860/ AC9861/ AC9862/ AC9863 & AC9869 – order separately |

OUTPUTS

| | | |
|----------|-----|--------------------------------|
| Master | Yes | Parallel or Continuous |
| Function | 10 | Supply to Receiver is switched |

CONFIGURATION

| | | |
|--|-----|--|
| RS232 Programming to users' requirements | Yes | For programming interlocks, push/push latch, parallel master inhibit, timeout, channel timeout delay, master on delay, radio button de-latching and output allocation. |
|--|-----|--|

PERFORMANCE

| | | |
|----------------------|-----|--|
| Simultaneous Outputs | Yes | Programable (Modify through configuration) |
| Instant TX response | Yes | Programable (Modify through configuration) |

DIAGNOSTICS

| | | |
|-------|-----|--|
| LED's | Yes | Confirm 5 Volts, SET, Fault and all Outputs. |
|-------|-----|--|

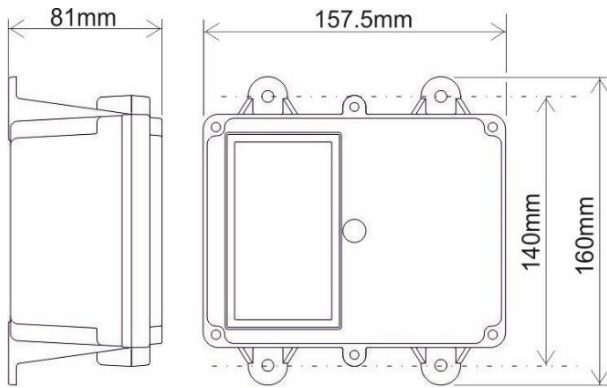
PROTECTION

| | | |
|--------------------|-----|------------------------------------|
| Back EMF | Yes | Diode protection on all outputs |
| Registration codes | Yes | Over 16 million |
| STOP Connection | Yes | Internal Emergency Stop Connection |

WIRING

| | | |
|-------------------------|-----|--|
| Wiring Loom | No | Upon Request |
| Cable Gland Connections | Yes | Supplied (Not fitted) Screw terminal into plug and socket on PCB, for easy “swap out” |

ENCLOSURE



| | |
|-----------|----------------------------------|
| Weight | 0.5 lbs (335gms) |
| Lid | Clear PC/FR V0 and UV stabilised |
| Base | Black PC V0 and UV stabilised |
| Breather | Gortex fitted in base |
| Mounting | 4 external lugs |
| Fixings | 5mm (3/16”) not supplied |
| IP Rating | IP55 |

| 92 Series | | | 9210RX |
|--|----------------|---------------------------|---------------|
| BUILD SPECIFICATION TABLE FOR MODELS IN THIS RANGE | | | |
| Ident | Legend | Connection | |
| | + - | Positive, Negative, | S |
| | M, F1, F2, F3 | Master F1, F2 and F3 | S |
| | F4, F5, F6, F7 | F4, F5, F6 & F7 | S |
| | F8, F9 & F10 | F8, F9 & F10 | S |
| | | | |
| | S+, S- | Safety Solenoid S+ and S- | S |
| | STOP, 0V | STOP connections | S |
| X4 | ANT | Internal Antenna | S |
| X5 | | SMA (external antenna) | S |
| LK1 | LK1 | Master - Parallel | C |
| LK2 | LK2 | Master - Continuous | C |
| | RS232 | RS232 | S |

S = Standard. C = Customer configured (see “Factory Settings”).

| | |
|------------------|--|
| + | Positive 8-36V supply |
| - | Negative 0 Volts |
| F1 to F10 | Outputs to F1 through F10 |
| M | Master Output |
| STOP - | STOP, when grounded shuts down the Receiver |
| S+ S- | Master Secondary for Safety solenoid connections etc. |
| ANT | Blade connector for internal antenna |
| SMA | Aerial connection for optional external antenna (internal antenna must be removed) |
| LK1 | Master Selection by Jumper (Parallel) |
| LK2 | Master Selection by Jumper (Continuous) |
| Factory Settings | 418/915MHz configured Parallel, 433.92MHz configured Continuous |
| RS232 | RS232 for Wired Remote and interface to access special programmes |

COMPLIANCE

| | |
|--------------|---|
| REG 10 | EC Type-approval mark E11 037601 EC Type-approval No: e11/72/245*2009/19*7601*00 |
| FCC | FCC CFR 47 Part 15.109 433.050MHz to 434.790MHz FCC CFR 47 Part 15.109 902.025MHz to 927.975MHz |
| IC | ICES-003 Issue 6. 433.050MHz to 434.790MHz ICES-003 Issue 6. 902.025MHz to 927.975MHz |
| CE | RED Directive ETSI EN 300 220-2 v3.2. ETSI EN 300 220-1 v3.1.1. ETSI EN 301 489-17 V3.1.1, ETSI EN 301 489-1 V2.1.1 433.050MHz to 434.790MHz |
| Australia/NZ | ETSI EN 300 220-2 v3.2.1 ETSI EN 301 489-1 V2.1.1 433.050MHz to 434.790MHz 915.025MHz to 927.975MHz |
| RoHS | Directive 2011/65/EU |