

10 Function with IP Transmitter

SYSTEM PART NUMBER

92210 10 Function Receiver, with Master + 10 Function IP Transmitter

CONTENTS

1 x Receiver
1 x IP Transmitter
1 x Lanyard
1 x Instructions



REPLACEMENT TRANSMITTER

92206TX - 6 Function Standard Transmitter

REPLACEMENT RECEIVER

9206RX - 6 Function Receiver

TRANSMITTER SPECIFICATION

ENCLOSURE

Material ABS
Switch Type Tactile Dome on PCB Keypad
Functions 10
Identification Pockets for printed text or image insertion

RF

Modulation 2-GFSK. Gaussian Frequency Shift Keying
Frequency 433.050 MHz to 434.790 MHz
Channels 1
Channel Selection Fixed
Technology Hand-held Transmitter
Temperature Range -10°C to $+40^{\circ}\text{C}$ (13°F to $+104^{\circ}\text{F}$). Use Lithium for lower temperatures
Range 60m (200ft)
Aerial Internal – printed on PCB
Transmitted power 1mW Typical

POWER

Batteries 4 x AAA Alkaline Manganese in holder (6 Volts)
Quiescent Current $15\mu\text{A}$
Current Transmitting 20mA

PROTECTION

IP Rating 65
Registration codes Over 16 million

INDICATOR

Type 1 x Red LED
Off Transmitter is OFF and in standby mode
Slow flash Transmitter is ON and ready for use (The SET Button has been pressed and released)
On Transmitting (A STOP, SET or Function Button is being pressed)
Fast flash Transmitting – Indication that the battery will need replacing soon

COMPLIANCE

FCC FCC CFR 47-part 15.231
433.9MHz

IC ISED RSS-210 Issue 8
433.9MHz

RoHS Directive 2011/65/EU

RECEIVER SPECIFICATION

ELECTRICAL

Voltage Nominal	12/24V DC
Voltage Min/Max	8 to 36V DC
Switch Type	MOSFET (Positive Switching)

RF

Modulation	2-GFSK. Gaussian Frequency Shift Keying
Frequency	433.050 MHz to 434.790 MHz 902.025 MHz– 927.975 MHz
Channels	32
Channel Selection	Fixed Channel hopping
Technology	Fixed Receiver
Temperature Range	-40 ^o C to + 80 ^o C (-40 ^o F to + 176 ^o F).
Range	60m (200ft)

CURRENT CAPACITY

FET Rating	10A
System Rating	10A
Quiescent Current	31mA 12V/ 17mA 24V on Standby (Not SET)
Overload Protection	10A (Auto Shutdown)

AERIAL

Internal Antenna	Yes	Supplied and fitted
External Antenna	Optional	AC9860/ AC9861/ AC9862/ AC9863 & AC9869 – order separately

OUTPUTS

Master	Yes	Parallel or Continuous
Function	10	Supply to Receiver is switched

CONFIGURATION

RS232 Programming to users' requirements	Yes	For programming interlocks, push/push latch, parallel master inhibit, timeout, channel timeout delay, master on delay, radio button de-latching and output allocation.
--	-----	--

PERFORMANCE

Simultaneous Outputs	Yes	Programmable (Modify through configuration)
Instant TX response	Yes	Programmable (Modify through configuration)

DIAGNOSTICS

LED's	Yes	Confirm 5 Volts, SET, Fault and all Outputs.
-------	-----	--

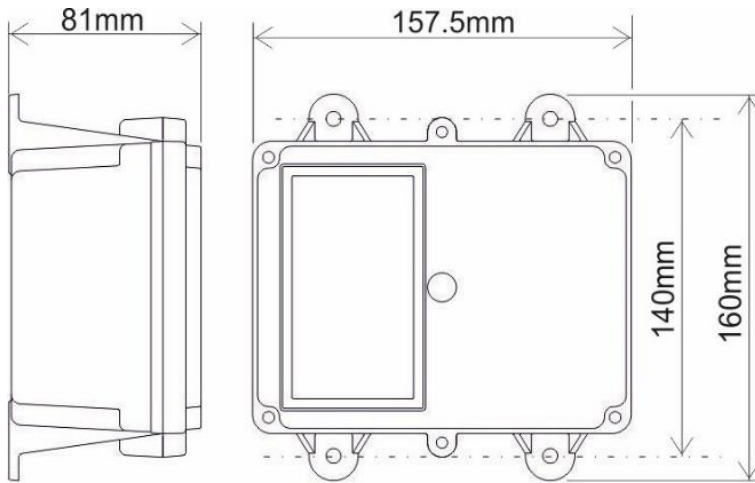
PROTECTION

Back EMF	Yes	Diode protection on all outputs
Registration codes	Yes	Over 16 million
STOP Connection	Yes	Internal Emergency Stop Connection

WIRING

Wiring Loom	No	Upon Request
Cable Gland	Yes	Supplied (Not fitted)
Connections		Screw terminal into plug and socket on PCB, for easy "swap out"

ENCLOSURE



Weight 0.5 lbs (335gms)
 Lid Clear PC/FR V0 and UV stabilised
 Base Black PC V0 and UV stabilised
 Breather Gortex fitted in base
 Mounting 4 external lugs
 Fixings 5mm (3/16") not supplied
 IP Rating IP55

92 Series			92210	92216	92220
BUILD SPECIFICATION TABLE FOR MODELS IN THIS RANGE					
Ident	Legend	Connection			
	+ -	Positive, Negative,	S	S	S
	M, F1, F2, F3	Master F1, F2 and F3	S	S	S
	F4, F5, F6, F7	F4, F5, F6 & F7	S	S	S
	F8, F9 & F10	F8, F9 & F10	S	S	S
	F11, F12, F13, F14	F11, F12, F13 & F14		S	S
	F15, F16	F15 & F16		S	S
	F17, F18, F19, F20	F17, F18, F19 and F20			S
	S+, S-	Safety Solenoid S+ and S-	S	S	S
	STOP, 0Volts	STOP connections	S	S	S
	ANT	Internal Antenna	S	S	S
		SMA (external antenna)	S	S	S
LK1	LK1	Master - Parallel	C	C	C
LK2	LK2	Master - Continuous	C	C	C
	RS232	RS232	S	S	S
		9863 Antenna with 3 metre cable	S	S	S

S = Standard. C = Customer configured (see "Factory Settings").

+ Positive 8-36V supply
 - Negative 0 Volts
 F1 to F10 Outputs to F1 through F10
 M Master Output
 STOP - STOP, when grounded shuts down the Receiver
 S+ S- Master Secondary for Safety solenoid connections etc.
 ANT Blade connector for internal antenna
 SMA Aerial connection for optional external antenna (internal antenna must be removed)
 LK1 Master Selection by Jumper (Parallel)
 LK2 Master Selection by Jumper (Continuous)
 Factory Settings 418/915MHz configured Parallel, 433.92MHz configured Continuous
 RS232 RS232 for Wired Remote and interface to access special programmes

COMPLIANCE

REG 10	EC Type-approval mark E11 037601 EC Type-approval No: e11/72/245*2009/19*7601*00
FCC	FCC CFR 47 Part 15.109 433.050MHz to 434.790MHz FCC CFR 47 Part 15.109 902.025MHz to 927.975MHz
IC	ICES-003 Issue 6. 433.050MHz to 434.790MHz ICES-003 Issue 6. 902.025MHz to 927.975MHz
CE	RED Directive ETSI EN 300 220-2 v3.2. ETSI EN 300 220-1 v3.1.1. ETSI EN 301 489-17 V3.1.1, ETSI EN 301 489-1 V2.1.1 433.050MHz to 434.790MHz
Australia/NZ	ETSI EN 300 220-2 v3.2.1 ETSI EN 301 489-1 V2.1.1 433.050MHz to 434.790MHz 915.025MHz to 927.975MHz
RoHS	Directive 2011/65/EU

RECEIVER PCB – Component Side

This is viewable through the clear lid of the Receiver.

LED's are visible for confirmation that the system is operating correctly.

These are: -

+5V	Power Supply OK
SET	Receiver operational
Fault	Flashes for 20 seconds At "power up" Tx coding window open
Fault	ON = Current overload
LED's F1 to F20 and M	ON when there is an output