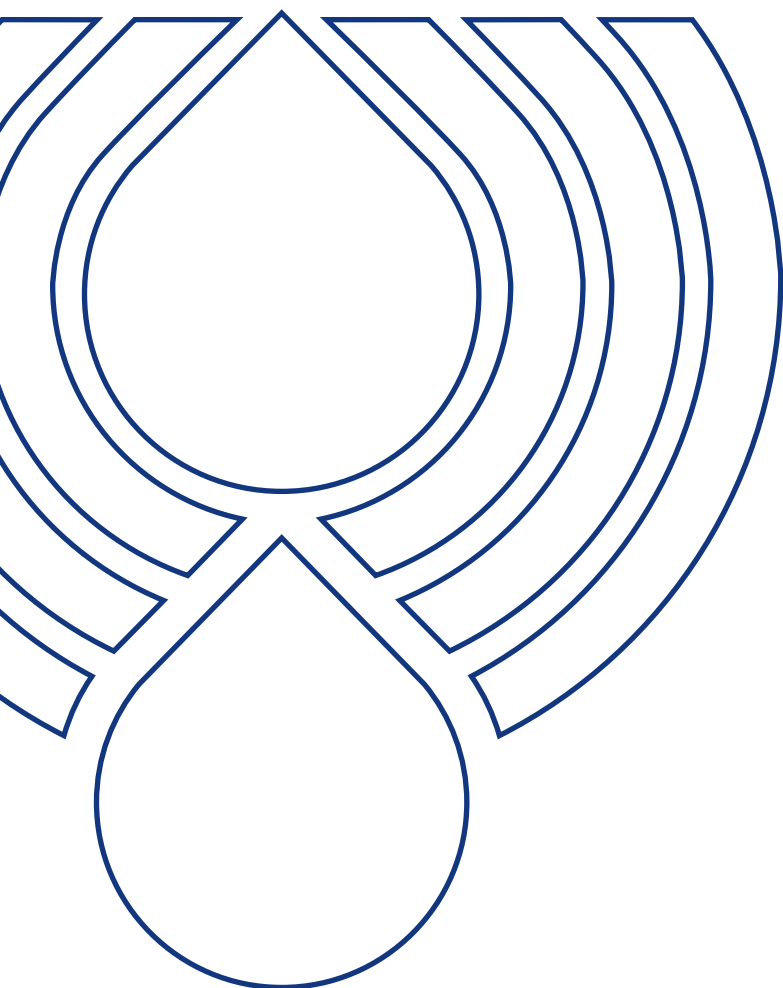


# TANK ACCESSORIES

AIR BREATHERS AND FILLER PLUGS



PASSION TO PERFORM



TA 46

TAP 50

SAP 50 series

**Metal oil filler  
and air breather filler cap**

**Nylon oil filler  
and breather plug**

**Nylon air  
breather filter**



## Technical data

### Air breathers & Filler plugs

#### Metal oil filler and air breather filler cap Flow rate up to 200 l/min

TA46 is a range of compact metal air breathers and filler caps for protection of the tank against the solid contamination contained into the air and filling of the fluid into the systems during the commissioning and maintenance procedures. They are usually directly fitted on the tank. The robust design allows the use of these filters in any heavy-duty application.

#### Available features:

- Male threaded connections up to 1/4" and flanged connection with bayonet, for a maximum flow rate of 200 l/min
- Fine cellulose filtration, to get a good cleanliness level into the reservoir
- Filling basket, to hold the coarse contamination contained into the fluid and to diffuse the fluid flow into the tank

#### Common applications:

- Compact hydraulic systems
- Compact mobile machines
- Industrial equipment

#### Flow rate $\Delta p$ 0.02 bar

TA46	Flow rate [l/min]	
	Filtration rating 03	10
	150	200

#### Materials (version G/N)

- Cover: Chrome plated steel
- Filter element: Resin impregnate paper, Polyurethane
- Flange: Galvanized steel
- Connection: Phosphatized steel

#### Materials (version B)

- Cover: Chrome plated steel
- Filter element: Resin impregnate paper, Polyurethane
- Flange: Galvanized steel
- Connection: Phosphatized steel
- Seals: NBR
- Chain, ring: Cork gasket
- Screws: Galvanized steel
- Basket: Brass

#### Temperature

From -25 °C to +100 °C

#### Weight

TA 46 B 0.10 kg  
TA 46 G/N 0.11 kg



## Designation & Ordering code

### COMPLETE AIR BREATHER - TA46

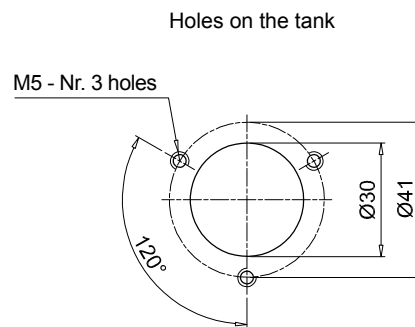
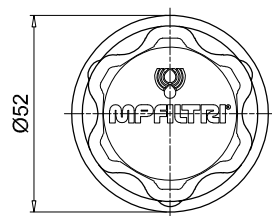
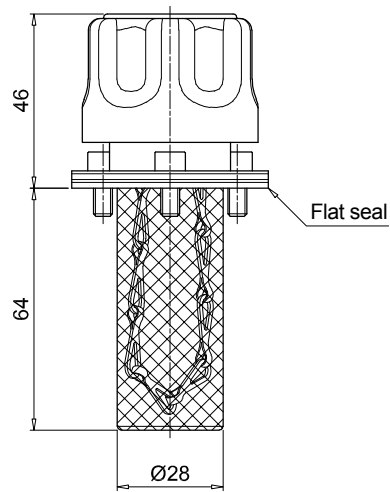
Series and size	Configuration example 1:	TA46	B	03	A	0	0	1	P01
<b>TA46</b>	Configuration example 2:	TA46	G	10					P01
<b>Connections to the tank</b>									
<b>B</b>	Screwed flange with bayonet mount								
<b>G</b>	Thread G 1/4"								
<b>N</b>	Thread 1/4" NPT								
<b>Filtration rating</b>									
<b>03</b>	Resin impregnate paper	3 $\mu$ m							
<b>10</b>	Polyurethane	10 $\mu$ m							
<b>Seals</b>									
<b>A</b>	NBR	•							
<b>Valve</b>									
<b>0</b>	Without valve	•							
<b>Version</b>									
<b>0</b>	Standard	•							
<b>Basket</b>									
<b>1</b>	With basket	•							

#### Execution

**P01** MP Filtri standard  
**Pxx** Customized

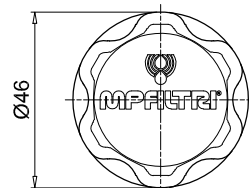
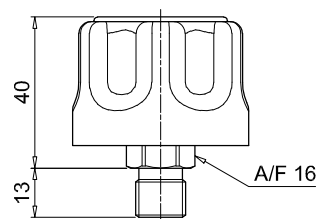
TA46

Screwed flange



TA46

Threaded connection





## WORLDWIDE NETWORK

### HEADQUARTERS

**MP Filtri S.p.A.**  
Pessano con Bornago  
Milano - Italy  
+39 02 957031  
sales@mpfiltri.it

### BRANCH OFFICES

**ITALFILTRI LLC**  
Moscow - Russia  
+7 (495) 220 94 60  
mpfiltrirussia@yahoo.com

**MP Filtri Canada Inc.**  
Concord, Ontario - Canada  
+1 905 303 1369  
sales@mpfiltricanada.com

**MP Filtri France SAS**  
Villeneuve la Garenne  
Paris - France  
+33 (0)1 40 86 47 00  
sales@mpfiltrifrance.com

**MP Filtri Germany GmbH**  
St. Ingbert - Germany  
+49 (0) 6894 95652 2-0  
sales@mpfiltri.de

**MP Filtri India Pvt. Ltd.**  
Bangalore - India  
+91 80 4147 7444 / +91 80 4146 1444  
sales@mpfiltri.co.in

**MP Filtri (Shanghai) Co., Ltd.**  
Shanghai - Minhang District- China  
+86 21 58919916 116  
sales@mpfiltrishanghai.com

**MP Filtri U.K. Ltd.**  
Bourton on the Water  
Gloucestershire - United Kingdom  
+44 (0) 1451 822 522  
sales@mpfiltri.co.uk

**MP Filtri U.S.A. Inc.**  
Quakertown, PA - U.S.A.  
+1 215 529 1300  
sales@mpfiltriusa.com

**PASSION TO PERFORM**



mpfiltri.com