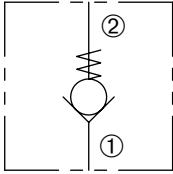


DCV-080-PB

Direct-Acting, Ball-Type
Check Valve

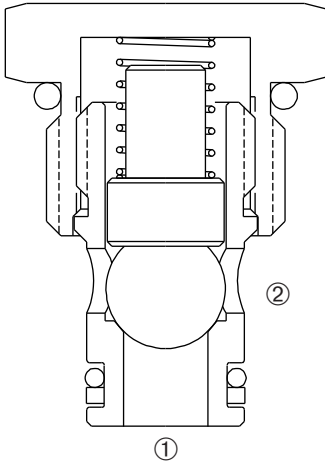


SERIES 8



DESCRIPTION

A cartridge valve designed to allow free flow in one direction, while preventing flow in the opposite direction. This valve is commonly used as a load-holding or blocking valve.



OPERATION

Pressure at ① overcomes the spring-bias ball and allows free flow to ②. Flow in the opposite direction, from ② to ①, is blocked by the ball.

FEATURES and BENEFITS

- Guide ball assembly
- Torlon® ball for positive shut-off.
- Low leak.
- Industry common cavity.
- Compact size.

SPECIFICATIONS

Operating Pressure: 3000 PSI (207 Bar)

Flow: See PRESSURE DROP VS. FLOW graph.
Nominal Flow 5 GPM (18.9 L/min).

Internal Leakage: Less than 2 drops/min. max. at 3000 PSI (207 Bar)

Crack Pressure: 5 PSI (0.3 Bar)
10 PSI (0.7 Bar)
30 PSI (2.1 Bar)
60 PSI (4.1 Bar)
100 PSI (6.9 Bar)

Temperature: -30°F to +220°F (-35°C to +104°C)

Recommended Filtration: Critical Application – ISO 17/15/13
Non-Critical Application – ISO 20/18/14

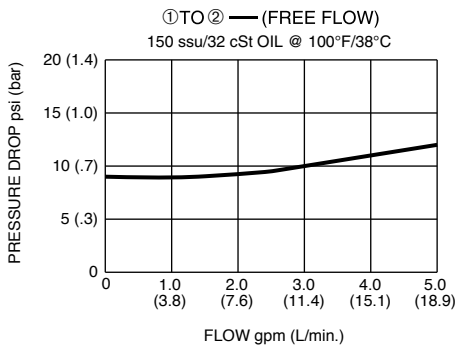
Fluids: Mineral-based fluids.

For other fluid compatibility, consult factory.

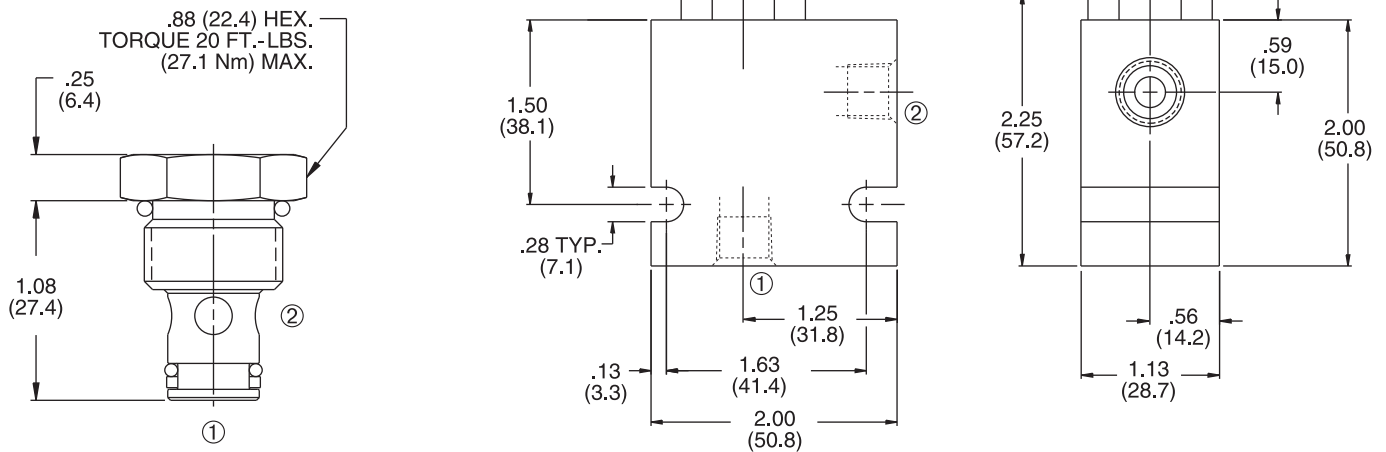
Cavity/Cavity Tool: 080-2, see page 11.08.2

In-Line Body Material: Anodized 6061T6 aluminum alloy rated at 3000 PSI (207 Bar).

PRESSURE DROP VS. FLOW

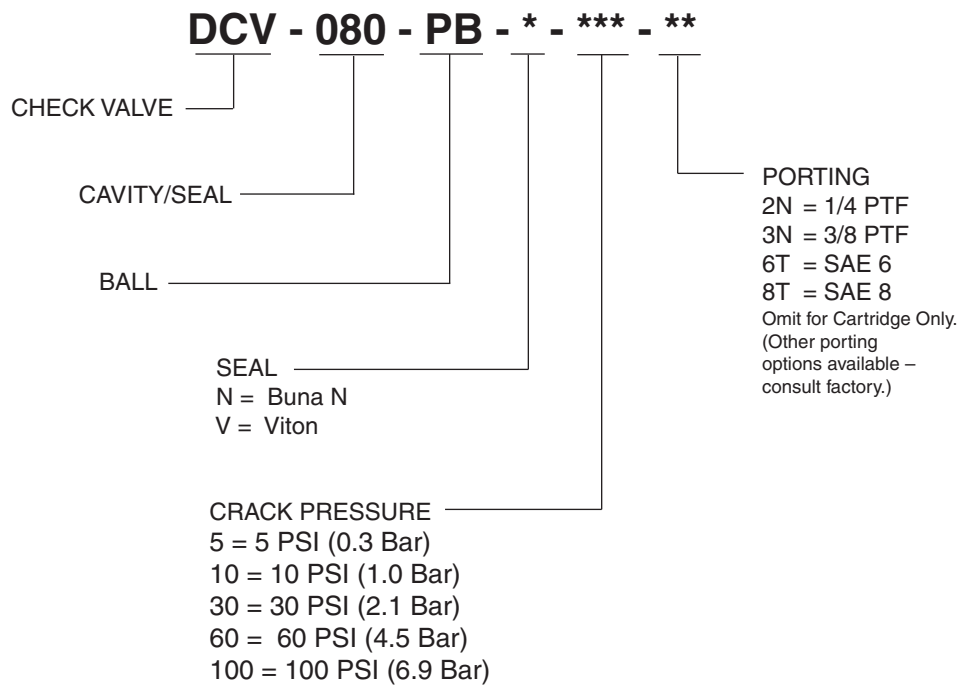


INSTALLATION DIMENSIONS



() Parentheses = Millimeters

HOW TO ORDER



SOLENOID
 CHECK
 MOTION CONTROL
 FLOW CONTROL
 RELIEF
 PRESSURE CONTROL
 SEQUENCE
 SHUTTLE
 DIRECTIONAL VALVES
 ACCESSORIES
 TECHNICAL DATA