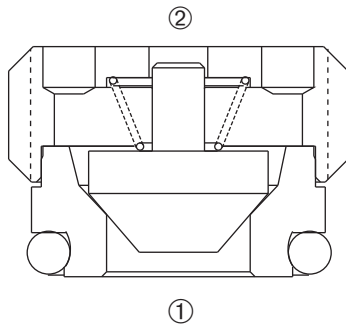
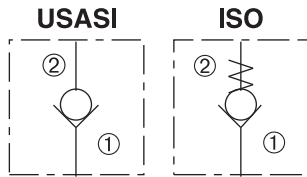


ZCP6

Direct-Acting, Poppet-Type
Check Valve

ZERO PROFILE



DESCRIPTION

A cartridge valve designed to allow free flow in one direction, while preventing flow in the opposite direction. This valve is commonly used as a load-holding or blocking valve.

OPERATION

Pressure at ① overcomes the spring-bias poppet and allows free flow to ②. Flow in the opposite direction, from ② to ①, is blocked by the poppet.

FEATURES and BENEFITS

- Hardened poppet and seat for long life.
- Low leak.
- Compact size.

SPECIFICATIONS

Operating Pressure: 3500 PSI (241 Bar)

Flow: See PRESSURE DROP VS. FLOW graph.

Internal Leakage: 2 drops/min. max. at 3000 PSI (207 Bar)

Crack Pressures: 5 PSI (0.5 Bar)
10 PSI (0.7 Bar)

Temperature: -30°F to +250°F (-35°C to +120°C)

Recommended Filtration: Critical Application – ISO 17/15/13

Non-Critical Application – ISO 20/18/14

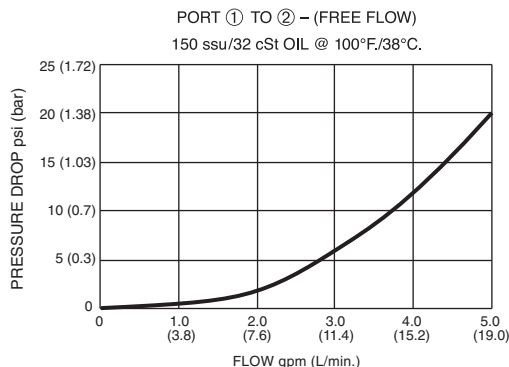
Fluids: Mineral-based fluids.

For other fluid compatibility, consult factory.

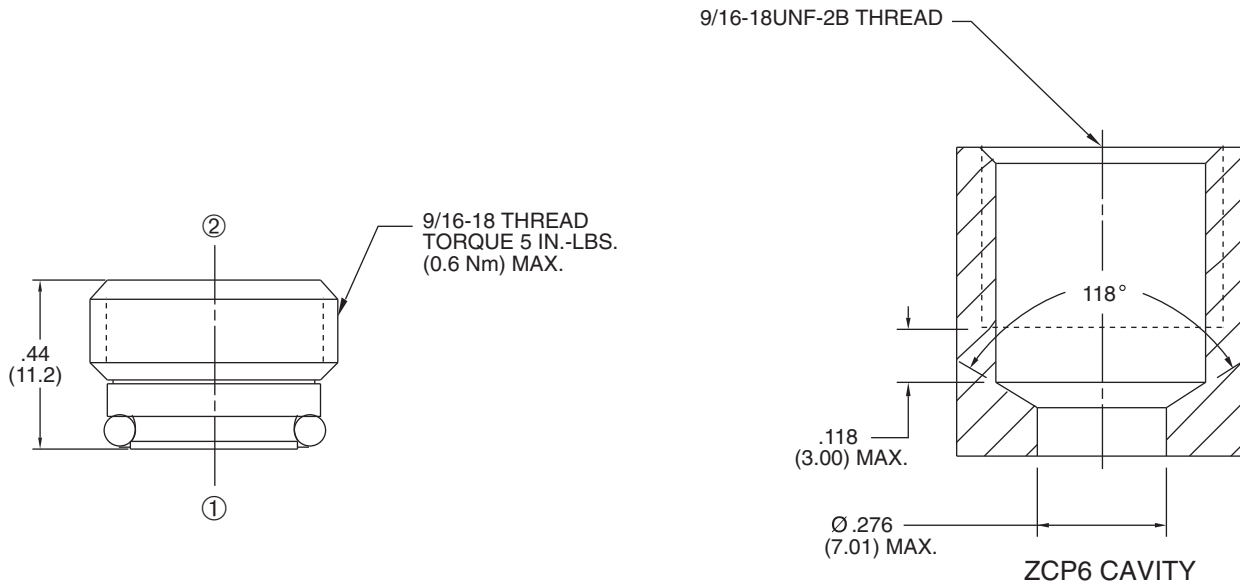
Cavity: ZCP6, see page 2.03.2

Installation/Removal Tool: Consult factory

PRESSURE DROP VS. FLOW

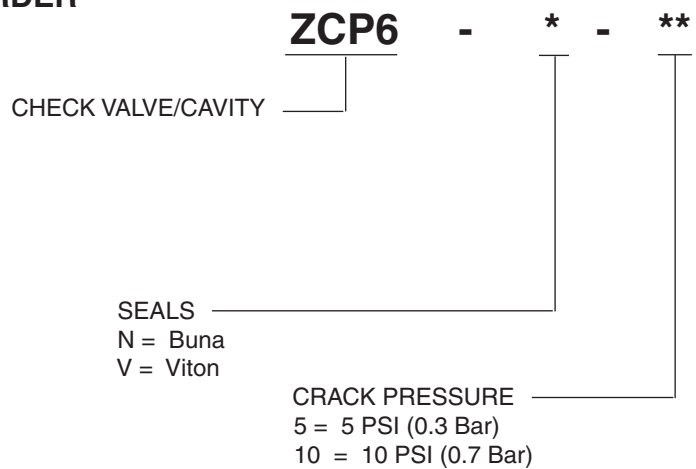


INSTALLATION DIMENSIONS



() Parentheses = Millimeters

HOW TO ORDER



SOLENOID
 CHECK
 MOTION CONTROL
 FLOW CONTROL
 RELIEF
 PRESSURE CONTROL
 SEQUENCE
 SHUTTLE
 DIRECTIONAL VALVES
 ACCESSORIES
 TECHNICAL DATA